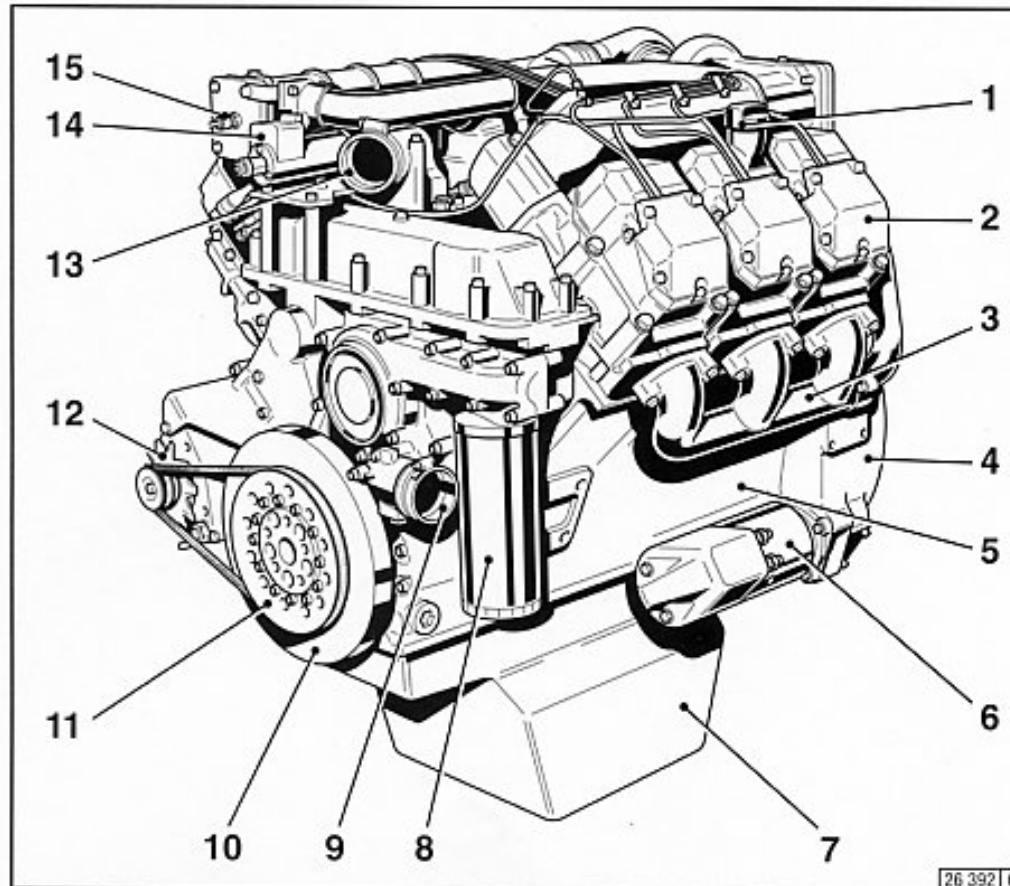


Operation/Maintenance BFM 1015

Engine Description: Engine Illustration



2.2.1 Cyl. Bank A – BF6M 1015



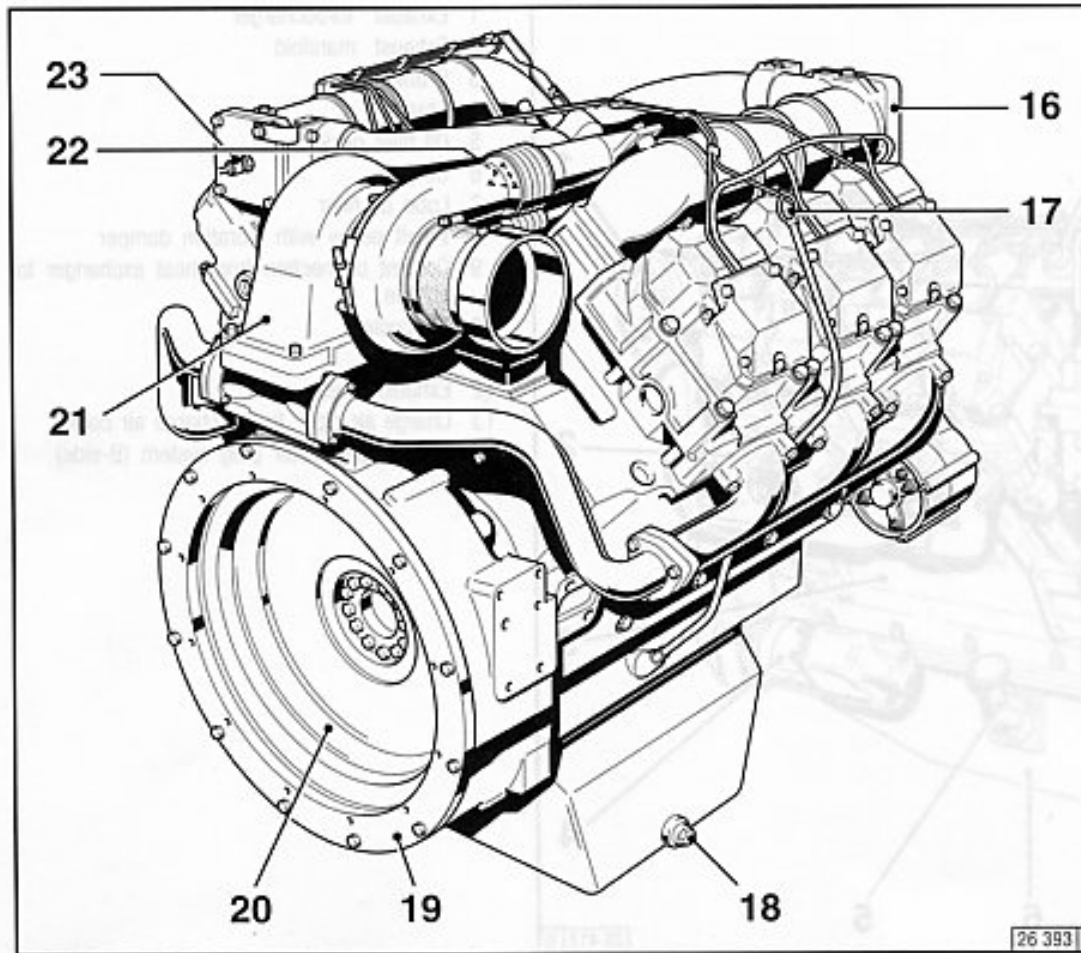
- 1 Oil filler neck
- 2 Cylinder head
- 3 Exhaust manifold
- 4 SAE housing
- 5 Crankcase
- 6 Starter
- 7 Oil pan
- 8 Oil filter
- 9 Coolant connection from heat exchanger to engine
- 10 Vibration damper
- 11 V-belt pulley
- 12 Alternator
- 13 Coolant connection to heat exchanger
- 14 Solenoid (shutdown solenoid)
- 15 Flame-type heater plug (B-side)

Operation/Maintenance BFM 1015

Engine Description: Engine Illustration



2.2.2 Cyl. Bank B – BF6M1015



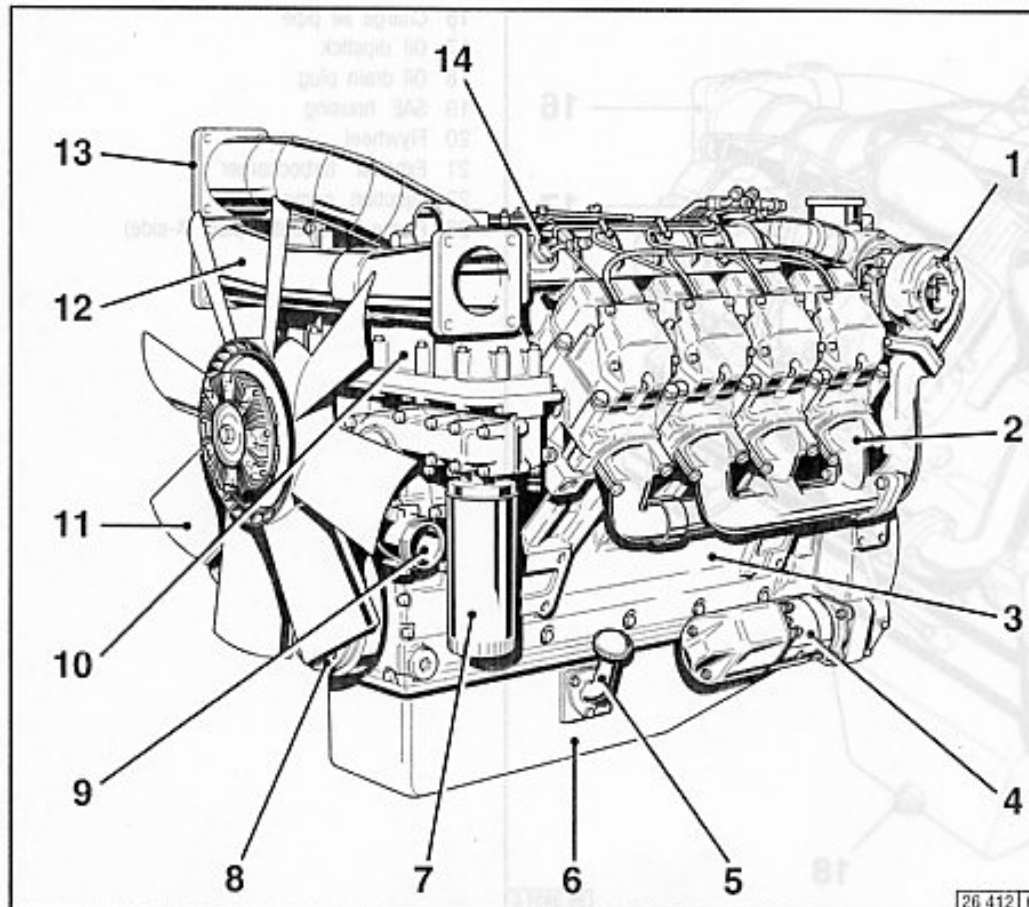
- 16 Charge air pipe
- 17 Oil dipstick
- 18 Oil drain plug
- 19 SAE housing
- 20 Flywheel
- 21 Exhaust turbocharger
- 22 Injection pump
- 23 Flame-type heater plug (A-side)

Operation/Maintenance BFM 1015

Engine Description: Engine Illustration



2.2.3 Cyl. Bank A – BF8M 1015



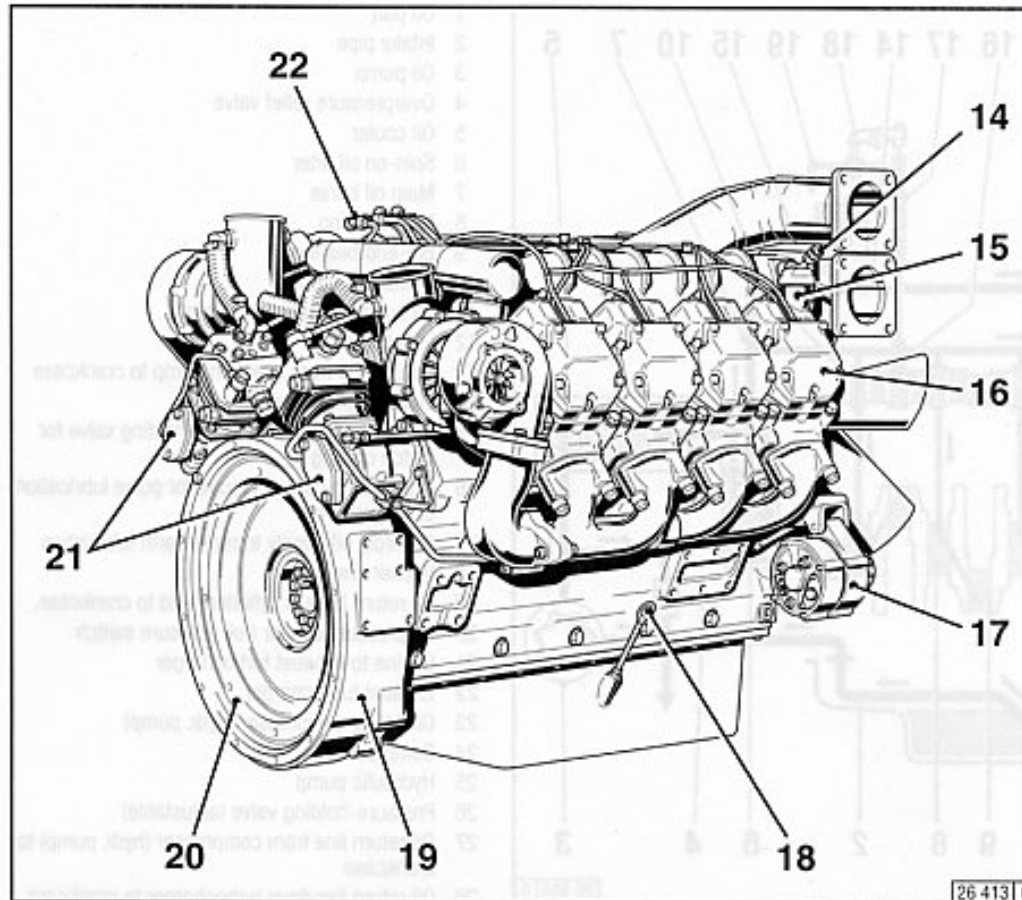
- 1 Exhaust turbocharger
- 2 Exhaust manifold
- 3 Crankcase
- 4 Starter
- 5 Oil filler neck
- 6 Oil pan
- 7 Lube oil filter
- 8 V-belt pulley with vibration damper
- 9 Coolant connection from heat exchanger to engine
- 10 Oil cooler
- 11 Fan
- 12 Exhaust stack
- 13 Charge air pipe to the charge air cooler
- 14 Flame-type heater plug system (B-side)

Operation/Maintenance BFM 1015

Engine Description: Engine Illustration



2.2.4 Cyl. Bank B – BF8M 1015



- 14 Flame-type heater plug system (A-side)
- 15 Oil filler neck
- 16 Cylinder head
- 17 Alternator
- 18 Oil dipstick
- 19 SAE housing
- 20 Flywheel
- 21 Compressor
- 22 Fuel connecting line

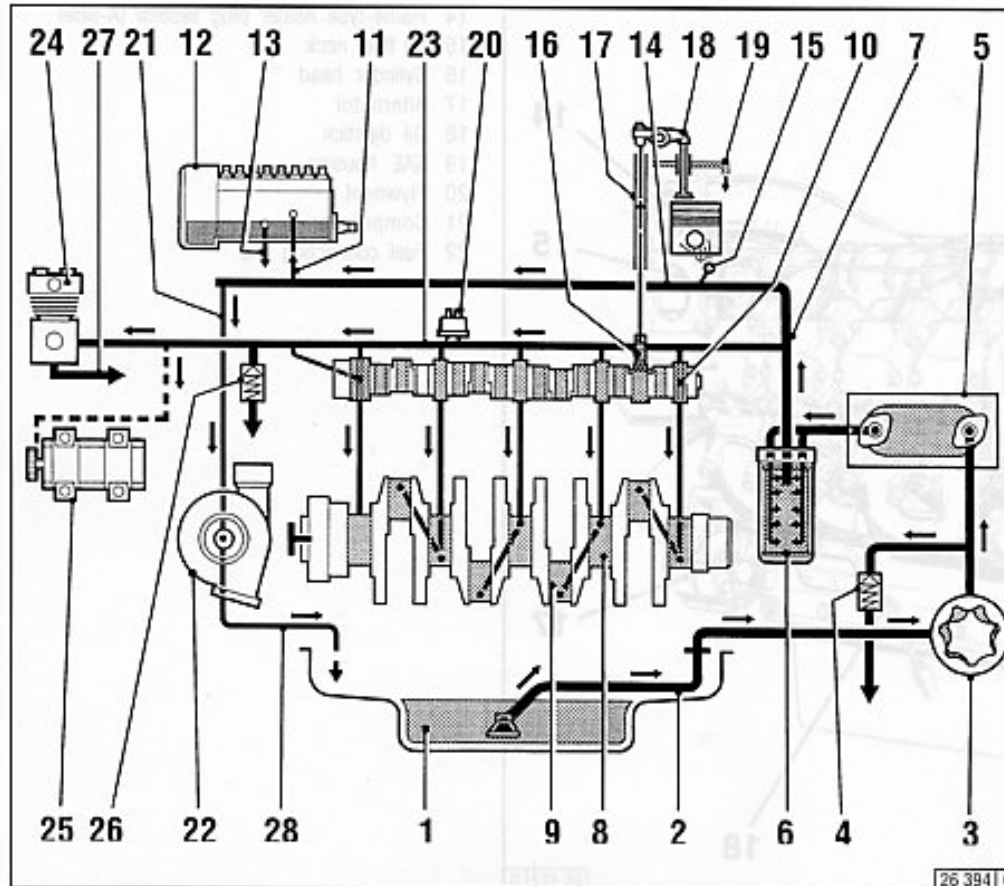
26 413 0

Operation/Maintenance BFM 1015

Engine Description: Lube Oil Circuit



2.3.1 Lube Oil Circuit Schematic 1015 Wet Sump Lubrication



- 1 Oil pan
- 2 Intake pipe
- 3 Oil pump
- 4 Overpressure relief valve
- 5 Oil cooler
- 6 Spin-on oil filter
- 7 Main oil bores
- 8 Main bearing
- 9 Big-end bearing
- 10 Camshaft bearing
- 11 Oil supply to injection pump
- 12 Injection pump
- 13 Return line from injection pump to crankcase
- 14 Line to spray nozzle
- 15 Spray nozzle with pressure-holding valve for piston cooling
- 16 Tappet with control groove for pulse lubrication of rocker arms
- 17 Pushrod, oil supply to rocker arm lubrication
- 18 Rocker arm
- 19 Oil return bore in cylinder head to crankcase.
- 20 Oil pressure sensor / oil pressure switch
- 21 Oil line to exhaust turbocharger
- 22 Exhaust turbocharger
- 23 Oil line to compressor (hydr. pump)
- 24 Compressor
- 25 Hydraulic pump
- 26 Pressure-holding valve (adjustable)
- 27 Oil return line from compressor (hydr. pump) to crankcase
- 28 Oil return line from turbocharger to crankcase

26 394 | 0