

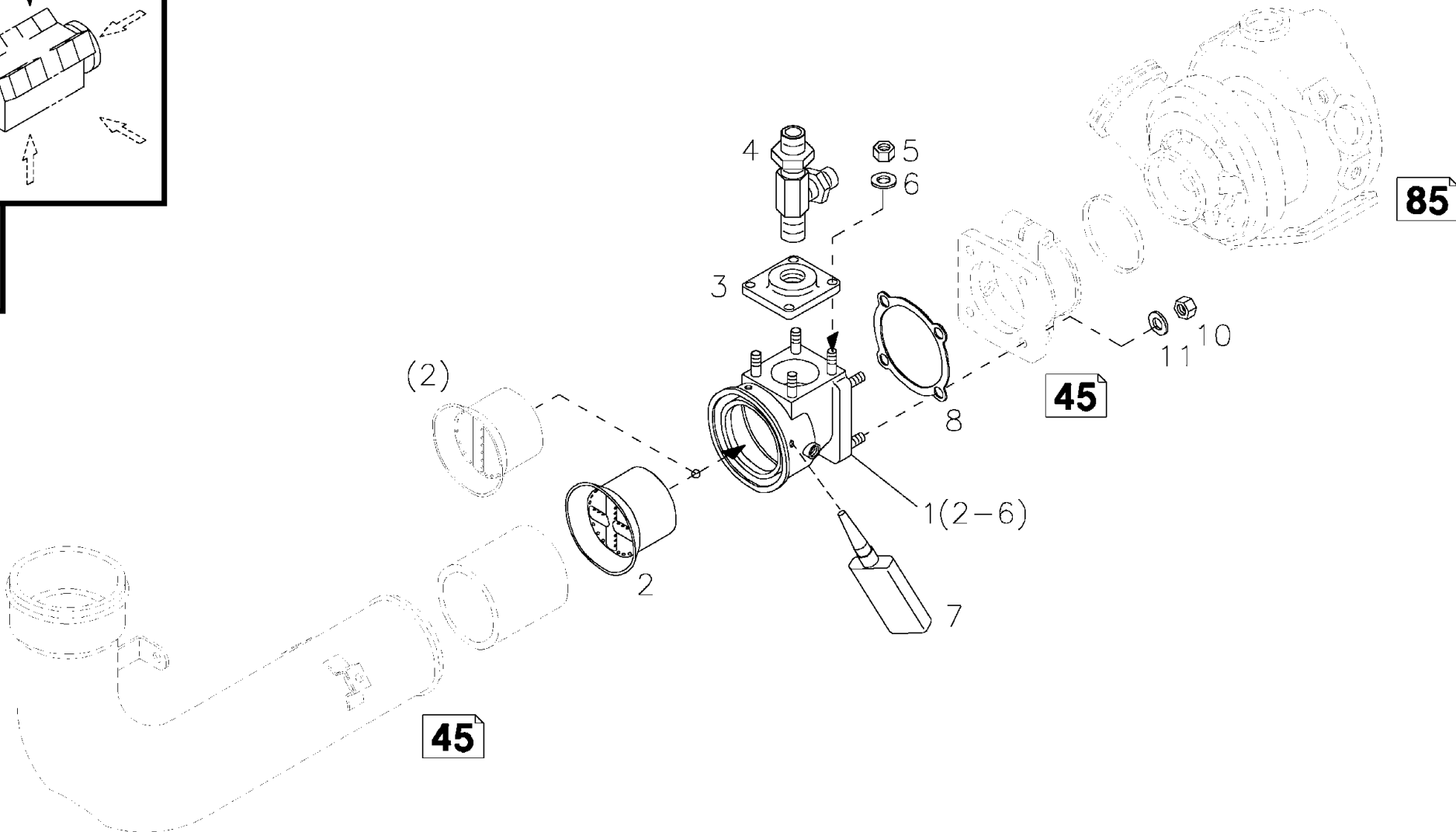
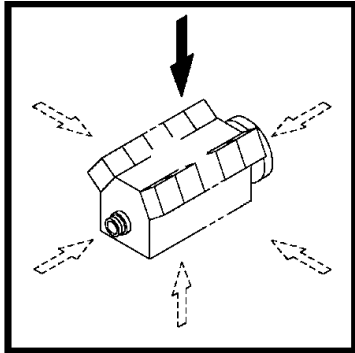


Gasmischer
Gas mixing valve
Melangeur de gaz
Mezclador de gas

Referenznr.:

0165 -64- 0510 1846

000 ©



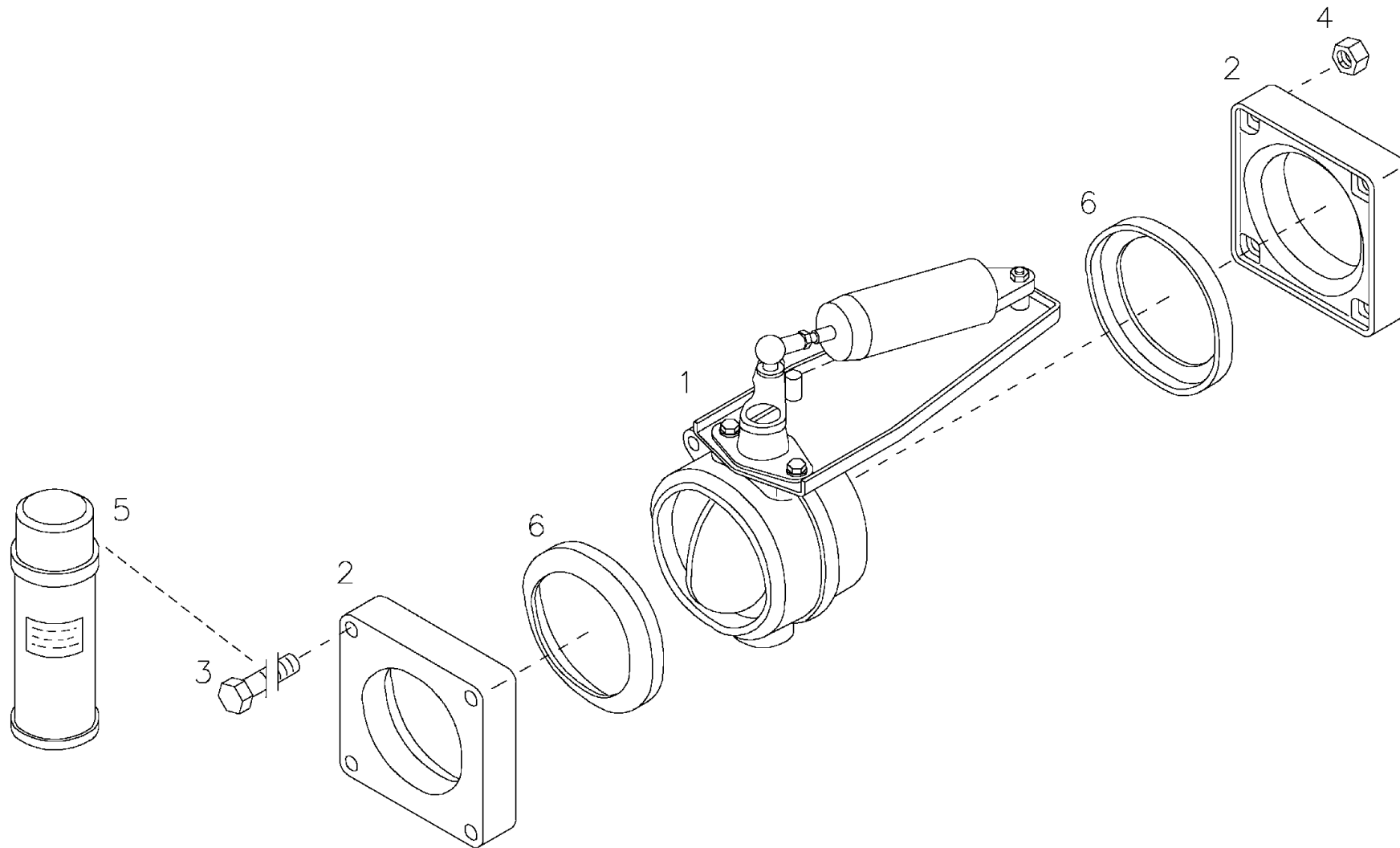


Motorbremsklappe
Brake flap
Clapet frein moteur
Tramp. freno motor

Referenznr.:

0165 -70- 0510 1452

003 ©



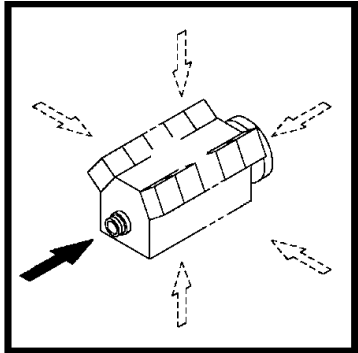


Heizung
Heating system
Chauffage
Calefacción

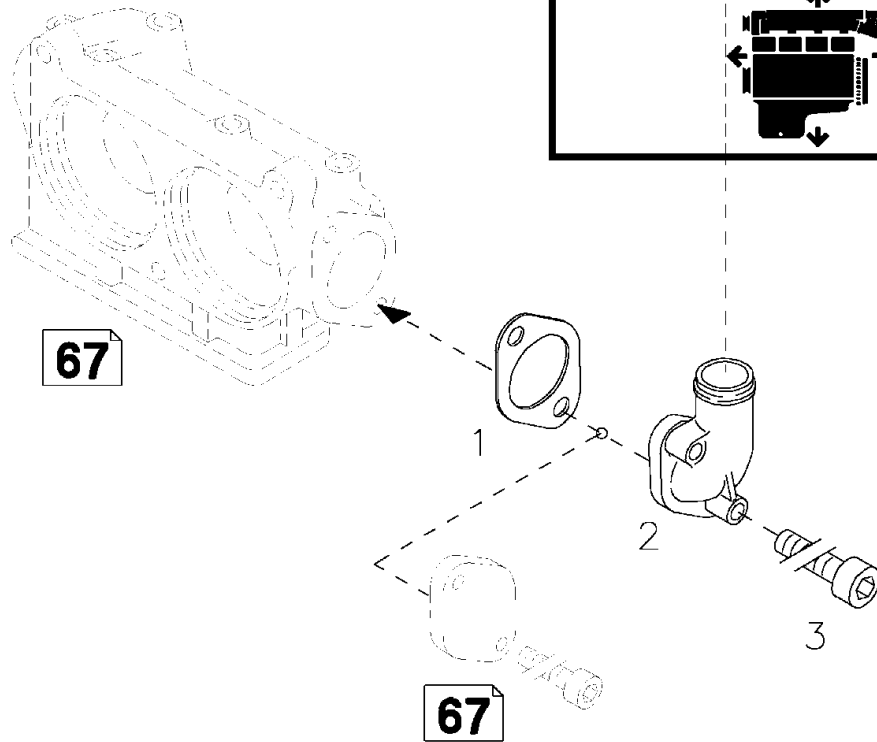
Referenznr.:

0165 -75- 0510 1453

002 ©



Kundenanschluß
Connection by customer
Connexion client
Conexion per cliente

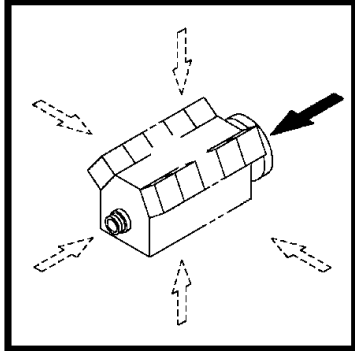




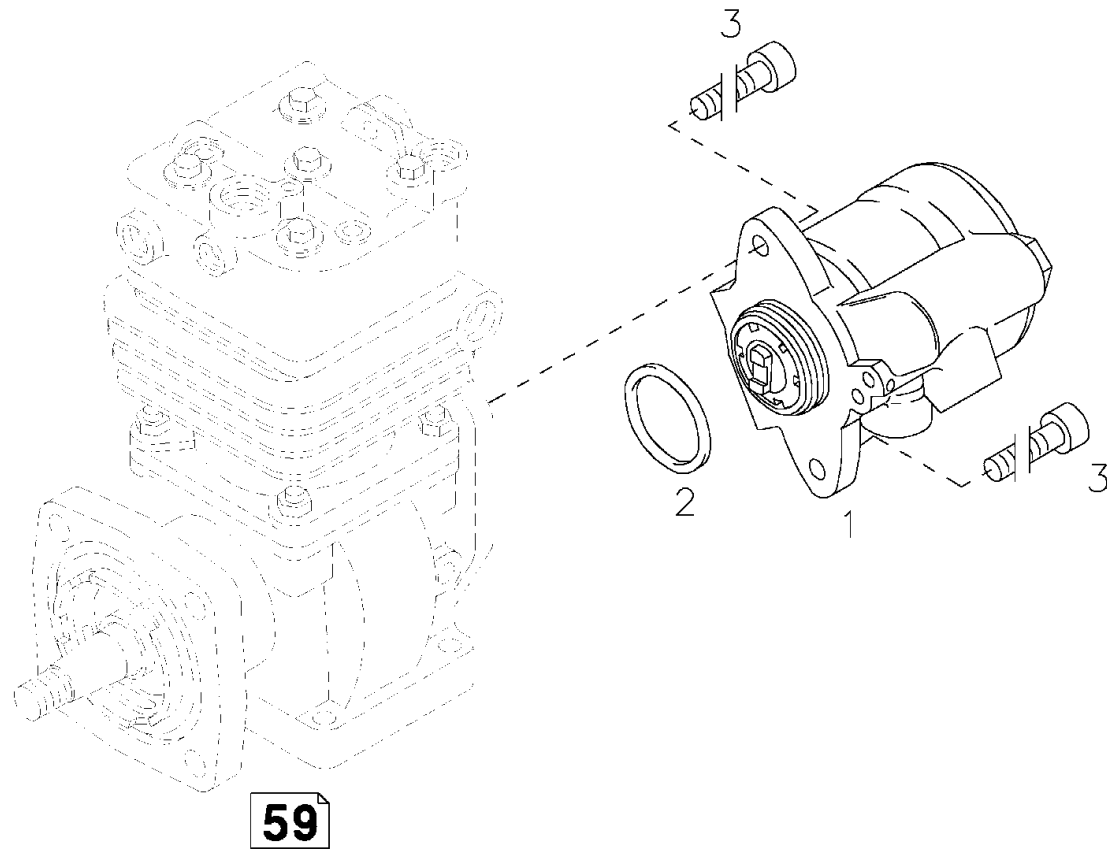
Hydraulikpumpe
Hydraulic pump
Pompe hydraulique
Bomba hidraulica

Referenznr.:

0165 **-83-** 0510 1454



004 ©



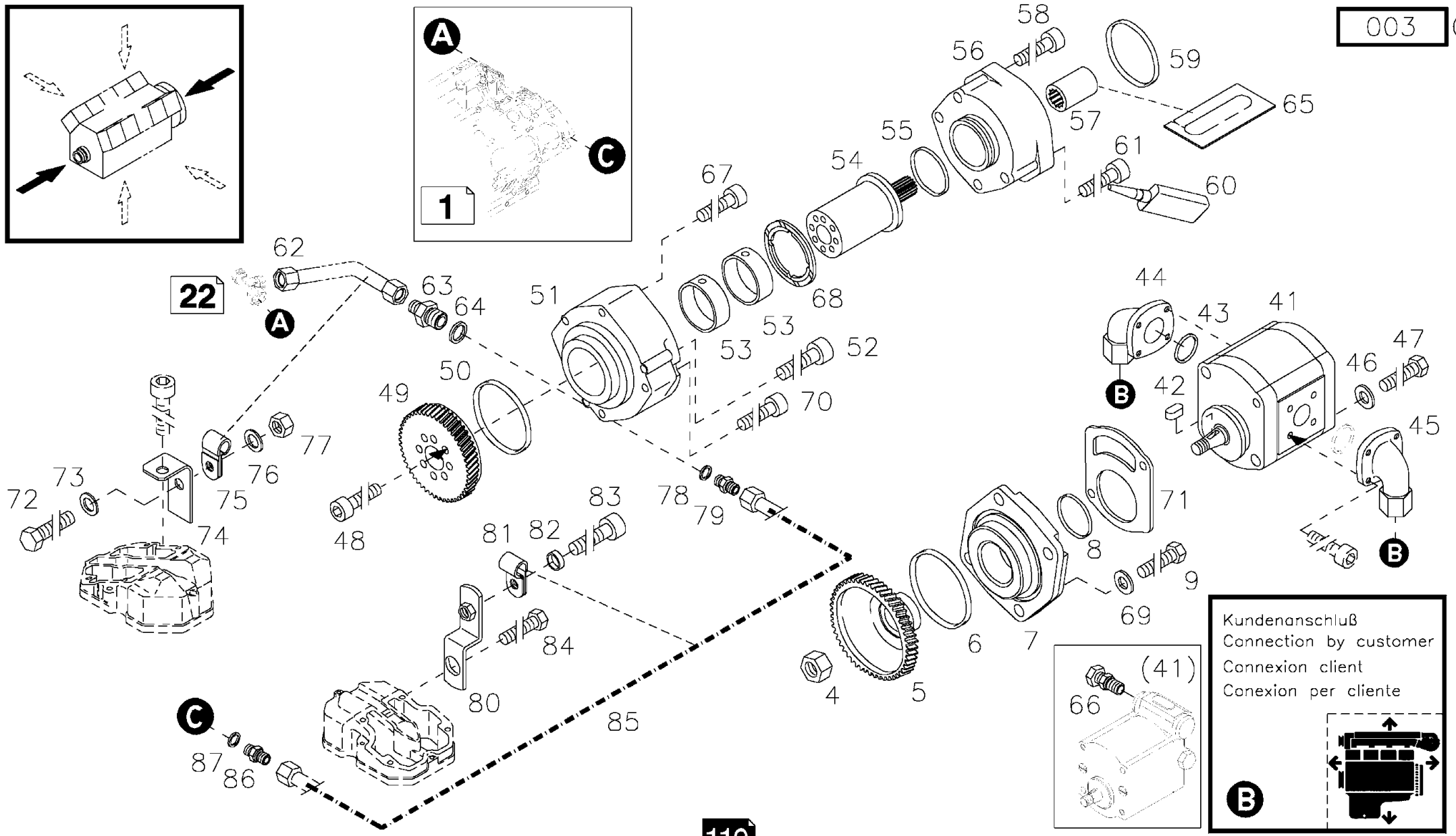


Hydraulikpumpe
Hydraulic pump
Pompe hydraulique
Bomba hidraulica

Referenznr.:

0165 -83- 0510 1609

003 ©



Kundenanschluß
Connection by customer
Connexion client
Conexion per cliente

B

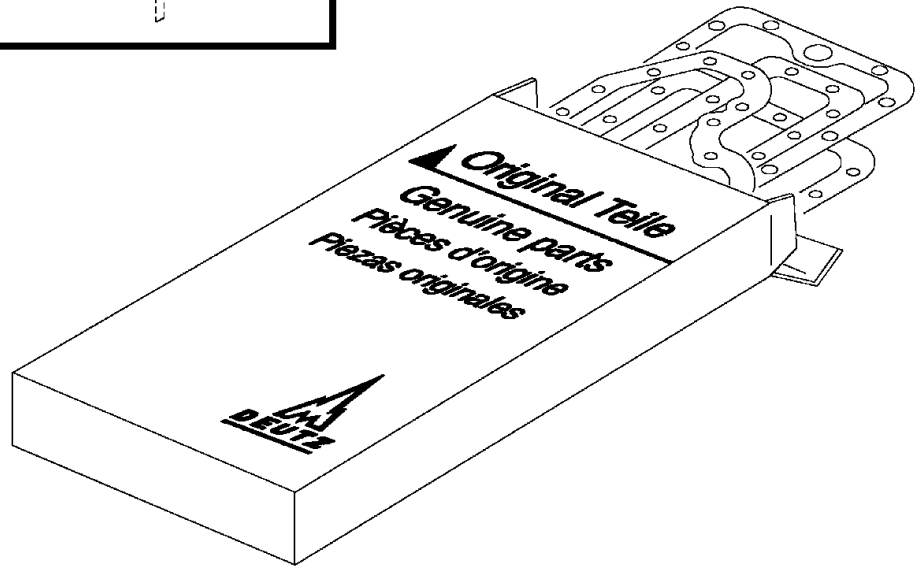
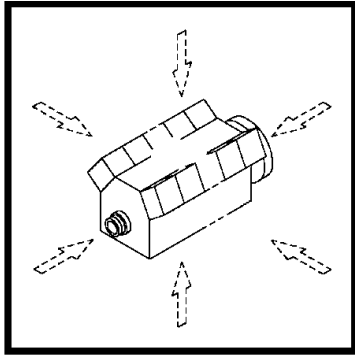


Wartungsteile
Servicing parts
Pieces maintenance
Piezas mantenimiento

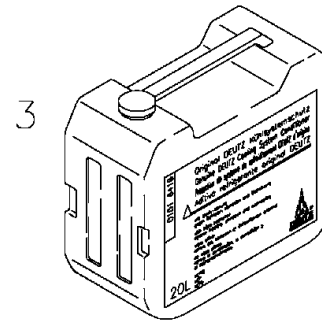
Referenznr.:

0165 -90- 0510 1459

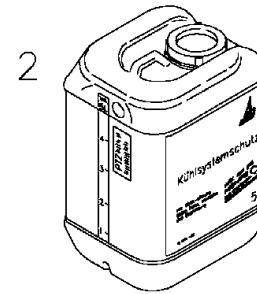
005 ©



1



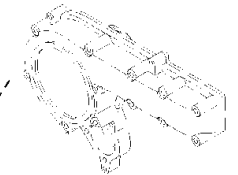
3



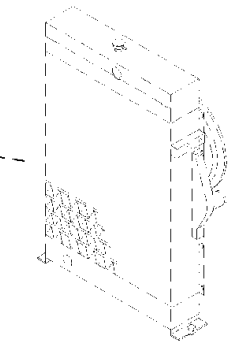
2



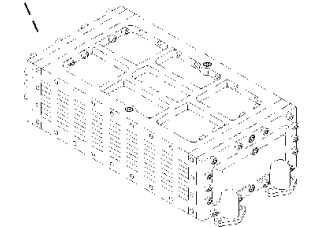
4



65



61



104

105



the engine company

DEUTZ AG

Service-Technik

Instandhaltungstechnik Motoren

Deutz-Mülheimer Str. 147-149

D-51057 Köln

Tel.: ++49 (0)2 21-8 22-0

Fax: ++49 (0)2 21-8 22-53 58

Internet: www.deutz.de

Printed in Germany

All rights reserved

1st Edition, © 12/04

Order No.: 0312 1887